

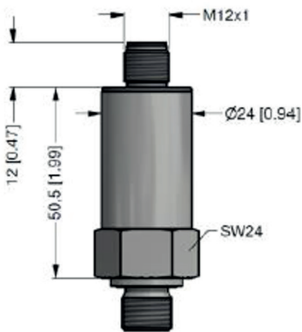
PRESSURE TRANSMITTER NONCORROSIVE GASES AND OXYGEN

Pressure transmitter with very good performance and compact dimensions for inert, flammable, oxidizing noncorrosive gases and gas mixtures. Not usable for Hydrogen and in areas with explosion hazards.



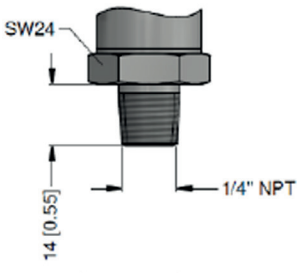
SPECIAL FEATURES:

- > Stainless Steel sensor, welded
- > Cleaned for usage for Oxygen and gas purity grad 6.0
- > Stainless Steel gas wetted parts, no nonmetallic sealing
- > Output signal 4...20 mA
- > CE- conformity according EMC Directive: 2014/30/EU
- > CE- conformity according Pressure Equipment Directive: 2014/68/EU (module A)



M12x1, 4-pin (IP 67)

Supply + 1
Supply - 2
Shield 4



TECHNICAL DATA	
Nominal working pressure:	25 bar 400 bar
Static overpressure:	50 bar 800 bar
Burst Pressure:	125 bar 2000 bar
Inlet connection:	NPT 1/4" m
Electrical connection:	M12 x 1
Materials:	
Pressure Port:	1.4571
Diaphragm:	1.4542
Housing:	1.4301
Media wetted parts:	pressure port, diaphragm
Weight:	approximately 120 g
Output signal:	4...20 mA (2-wire)
Accuracy:	<= +/- 0,5 % span
Permissible load:	$R_{max} = [(VS - VS_{min}) / 0.02 A] \Omega$
Influence effects:	supply: 0.05 % span / 10 V load: 0.05 % span / k Ω
Response time:	<= 10 msec
Long term stability:	= ± 0.3 % span / year at reference conditions
Measuring rate:	1kHz
Thermal error:	= ± 0.3 % span / 10 K in compensated range 0 ... 70 °C
Permissible temperature medium:	-40°C to + 125°C
Permissible temperature environment:	-40°C to + 85 °C
Storage environment temperature:	-40°C to + 85 °C
Electrical protection:	
Short- circuit protection:	permanent
Reverse polarity protection:	no damage, but also no function
Electromagnetic protection:	emission and immunity according to EN 61326
Mechanical stability:	
Vibration:	20 g, 25 Hz ... 2 kHz according to EN 60068-2-6
Shock:	500 g/ 1 msec according EN 60068-2-27
Current consumption:	max. 25 mA
Operation life:	100 million load cycles

ORDER CODE:

Item number	Description
H28397901	25 bar
H28397801	400 bar